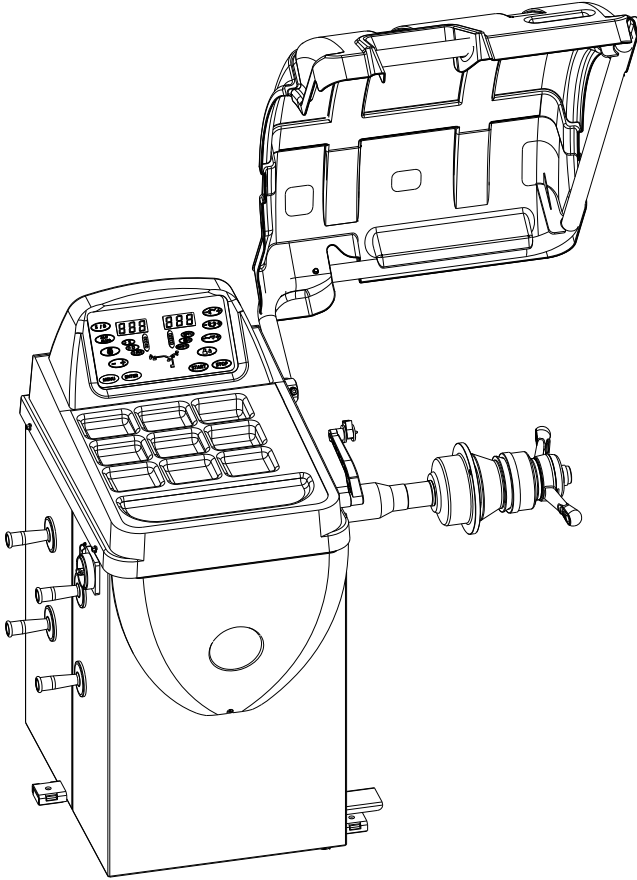
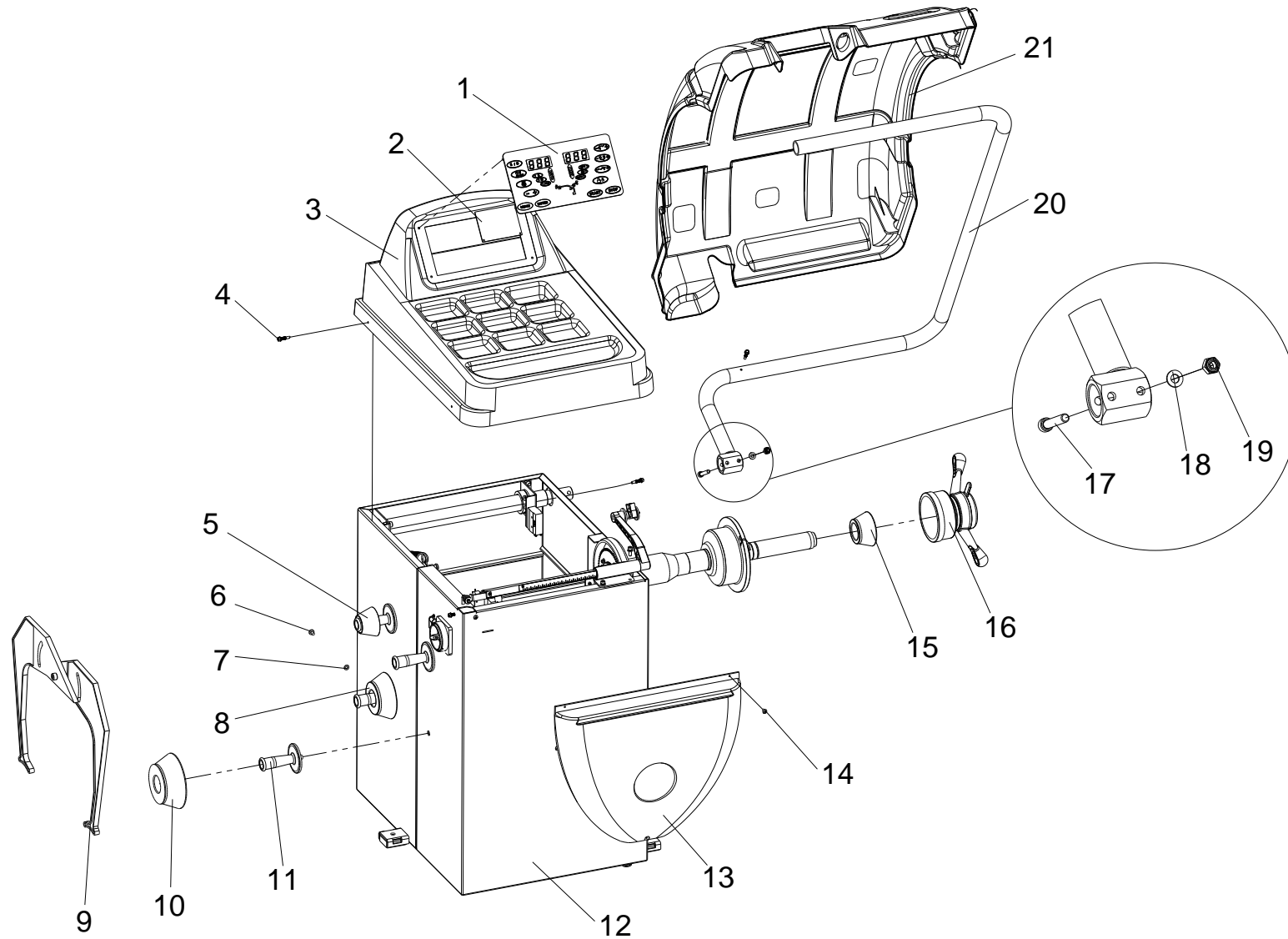


ED.

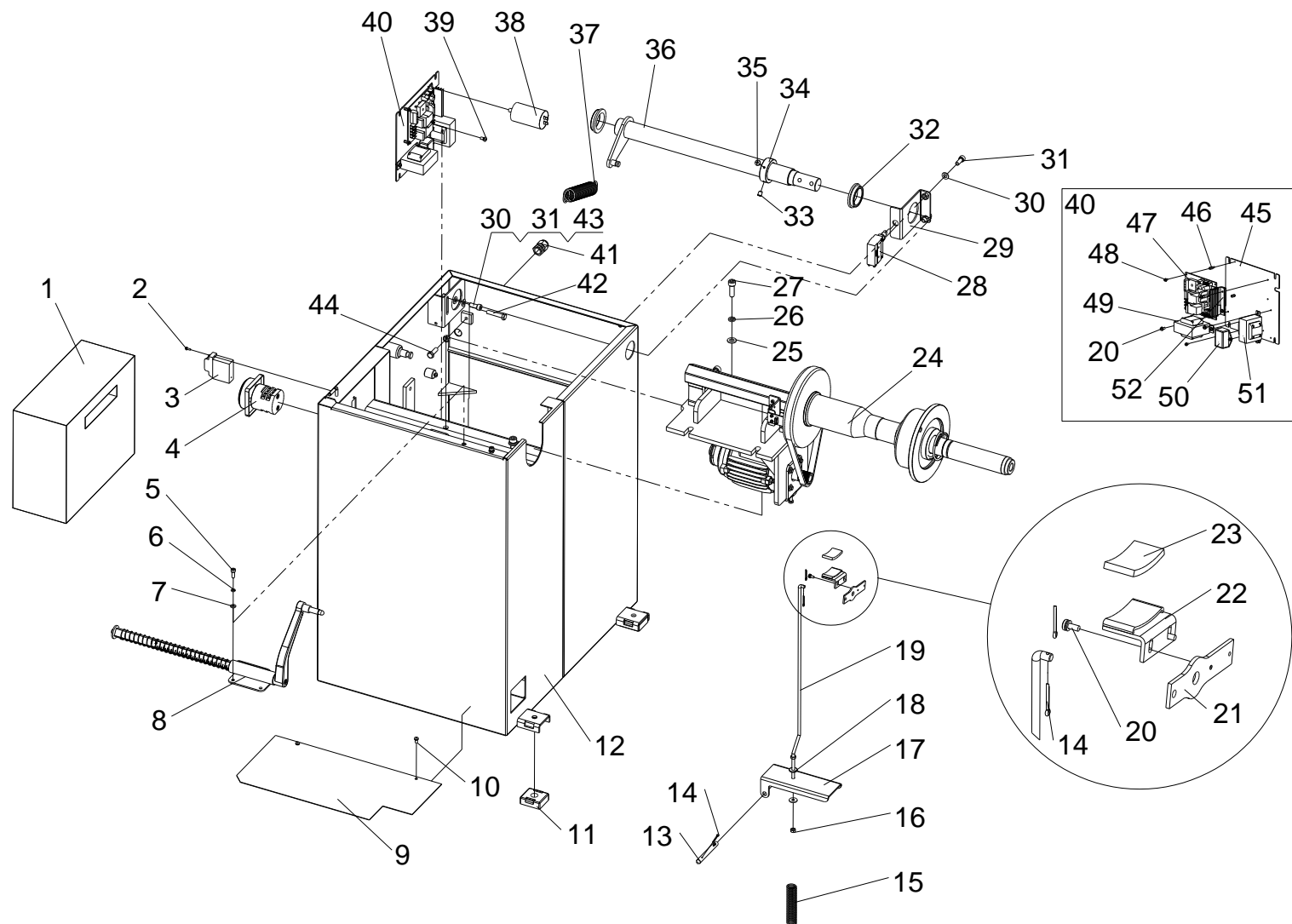
PART CATALOGUE
WB11-CSA
WHEEL BALANCER





| | | |
|-------|-------------------|-----------|
| TAV.0 | GENERAL BREAKDOWN | ED. 02/17 |
|-------|-------------------|-----------|

| ITEM | PART NUMBER | DESCRIPTION | QTY | REMARK |
|------|--------------|--------------------------------------|-----|--------|
| 1 | 0507088 | Control panel with the support panel | 1 | |
| 2 | 0507394 | CPU Board | 1 | |
| 3 | P1-20002UL | Weight tray | 1 | |
| 4 | 0215028 | Self-tapping screw 5.5X25 | 5 | |
| 5 | P1-12001W | Cone 44-70 | 1 | |
| 6 | 0206031 | Screw M6X10 | 1 | |
| 7 | 0205006 | Washer D.6 | 1 | |
| 8 | P1-12003W | Cone 78-111 | 1 | |
| 9 | 0604059 | Wheel Measuring Caliper | 1 | |
| 10 | P1-12004W | Cone 85-132 | 1 | |
| 11 | P1-22001 | Cone holder | 4 | |
| 12 | P2-10000 | Casing unit | 1 | |
| 13 | P1-20001UL | Plastic front | 1 | |
| 14 | 0207046 | Screw M4X10 | 3 | |
| 15 | P1-12002W | Cone 59-82 | 1 | |
| 16 | P1-50000 | Quick nut kit TR40X3 | 1 | |
| 17 | 0202093 | Screw M8X50 | 2 | |
| 18 | 0205008 | Washer D.8 | 2 | |
| 19 | 0204004 | Nut M8 | 2 | |
| 20 | P28A410000 | Wheel guard frame | 1 | |
| 21 | P28A400001UL | Wheel guard | 1 | |

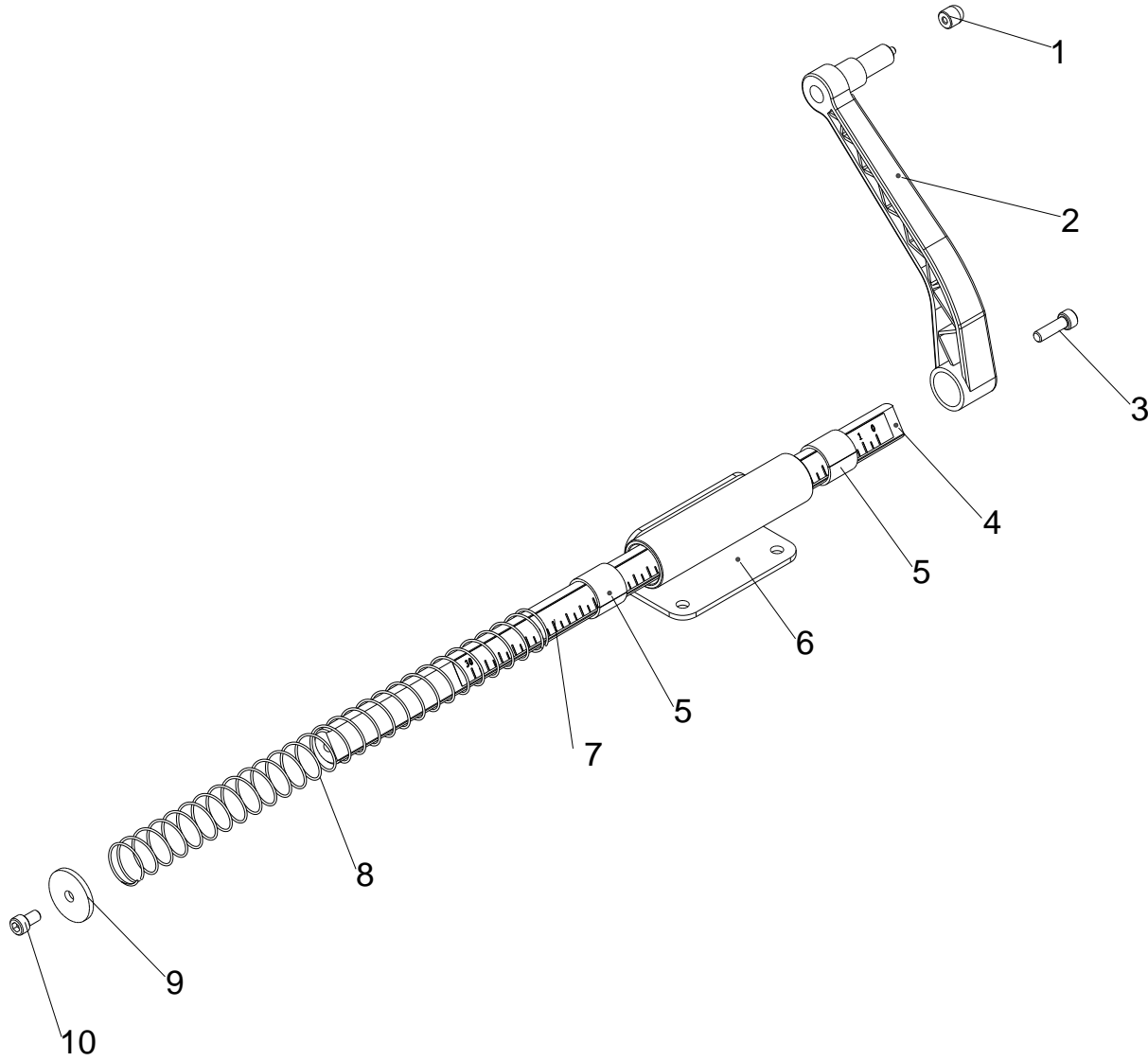


| | | |
|---------|------|-----------|
| TAV.1.0 | BODY | ED. 02/17 |
|---------|------|-----------|

| ITEM | PART NUMBER | DESCRIPTION | QTY | REMARK |
|------|-------------|-----------------------------------|-----|--------|
| 1 | P1-23102 | Weights | 1 | |
| 2 | 0201136 | Screw M3X10 | 2 | |
| 3 | 0501085 | Breaker | 1 | |
| 4 | 0505069 | Reverser | 1 | |
| 5 | 0202032 | Screw M6X16 | 2 | |
| 6 | 0208005 | Spring washer D.6 | 2 | |
| 7 | 0205006 | Washer D.6 | 2 | |
| 8 | P1-41000B | Automatic distance gauge assembly | 1 | |
| 9 | P1-31118UL | Base plate | 1 | |
| 10 | 0206058 | Screw M5X10 | 2 | |
| 11 | YC1-3002099 | Plastic foot | 3 | |
| 12 | P1-31100UL | Casing | 1 | |
| 13 | P1-31301 | Pin | 1 | |
| 14 | 0213044 | Split pin 2X20 | 4 | |
| 15 | P1-31306 | Brake Pedal Spring | 1 | |
| 16 | 0203004 | Nut M6 | 4 | |
| 17 | P1-31302 | Brake Pedal | 1 | |
| 18 | 0205007 | Washer D.6 | 2 | |
| 19 | P1-31307 | Connection Rod | 1 | |
| 20 | 0206060 | Screw M4X10 | 6 | |
| 21 | P1-31303 | Lever | 1 | |
| 22 | P1-31304 | Brake | 1 | |
| 23 | P1-31305 | Braking cloth | 1 | |
| 24 | P1B-11000UL | Balancing shaft assembly | 1 | |
| 25 | 0205011 | Washer D.10 | 4 | |
| 26 | 0208007 | Spring washer | 4 | |
| 27 | 0202062 | Screw M10X30 | 4 | |

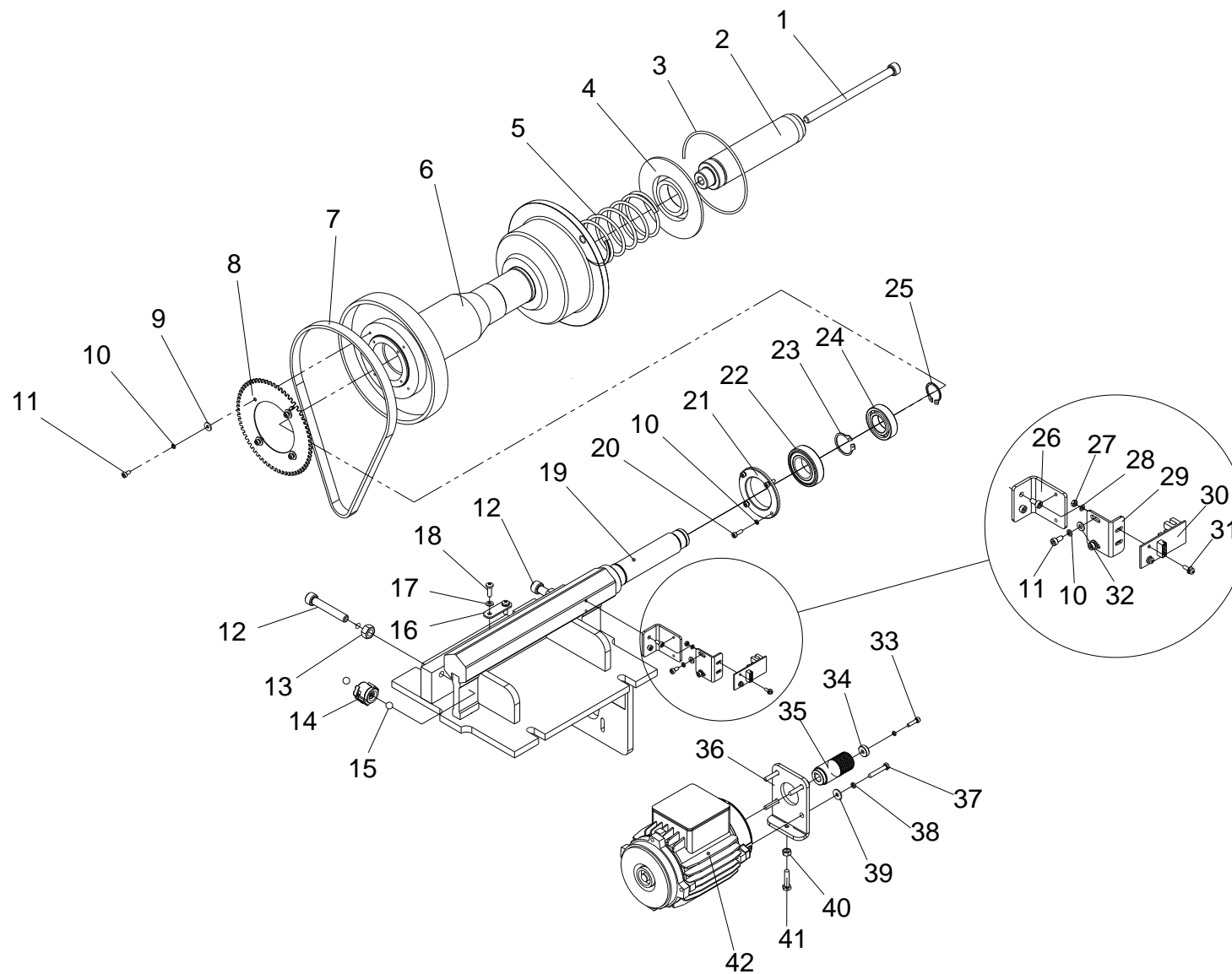
| | | |
|---------|------|-----------|
| TAV.1.0 | BODY | ED. 02/17 |
|---------|------|-----------|

| | | | |
|----|------------|---------------------------|---|
| 28 | 0505029 | Limit switch 7311 | 1 |
| 29 | P1-31220 | Switch support | 1 |
| 30 | 0205008 | Washer D.8 | 4 |
| 31 | 0202045 | Screw M8X20 | 3 |
| 32 | P1-31231 | Bush | 2 |
| 33 | 0209046 | Screw M8X10 | 2 |
| 34 | P1-31205 | Positioning bush | 1 |
| 35 | 0207042 | Screw M5X12 | 1 |
| 36 | P28A420000 | Wheel guard shaft | 1 |
| 37 | P1-31232 | Wheel guard spring | 1 |
| 38 | 0508268 | Capacitor 50Hz 20VF/450V | 1 |
| 39 | 0206058 | Screw M5X10 | 4 |
| 40 | P1-31180UL | Power board assembly | 1 |
| 41 | 0508252 | Cable relief | 1 |
| 42 | 0201033 | Screw M8X40 | 2 |
| 43 | 0203008 | Nut M8 | 2 |
| 44 | 0201038 | Screw M8X25 | 1 |
| 45 | P1-31181UL | Power board support | 1 |
| 46 | 0204053 | Isolation pin | 6 |
| 47 | 0507395 | Power supply board | 1 |
| 48 | 0206054 | Screw M3X8 | 4 |
| 49 | 0503109 | Braking transformer 4011F | 1 |
| 50 | 0505068 | Power filter | 1 |
| 51 | 0503102 | Power transformer 3012F | 1 |
| 52 | P1-31182 | Cooling bracket | 1 |



TAV.2.0**AUTOMATIC DISTANCE GAUGE ASSEMBLY****ED. 02/17**

| ITEM | PART NUMBER | DESCRIPTION | QTY | REMARK |
|-------------|--------------------|---------------------------|------------|---------------|
| 1 | P1-41214B | Head | 1 | |
| 2 | P1-41206 | Index arm | 1 | |
| 3 | 0202033 | Screw M6X20 - GB/T70.1 | 1 | |
| 4 | P1-41101B | Gauge rod | 1 | |
| 5 | 0210002 | Self-lubricated bush 2020 | 2 | |
| 6 | P1-41300 | Gauge support | 1 | |
| 7 | P1-41109 | Scale decal | 1 | |
| 8 | P1-41212B | Spring | 1 | |
| 9 | P1-41213B | Washer | 1 | |
| 10 | 0202030 | Screw M6X10 - GB/T70.1 | 1 | |

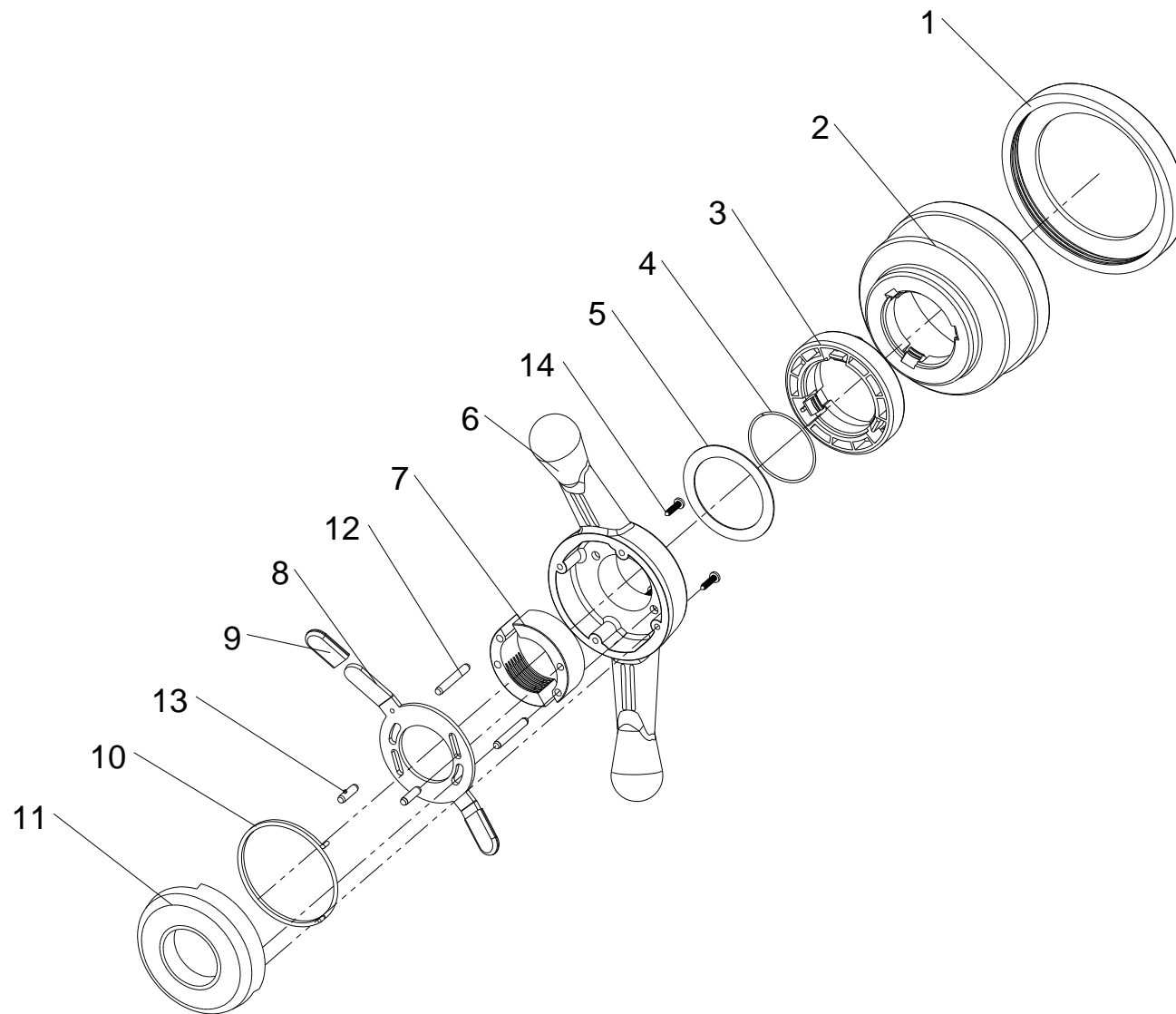


| | | |
|---------|--------------------------|-----------|
| TAV.3.0 | BALANCING SHAFT ASSEMBLY | ED. 02/17 |
|---------|--------------------------|-----------|

| ITEM | PART NUMBER | DESCRIPTION | QTY | REMARK |
|------|--------------------|-----------------------------|-----|--------|
| 1 | 0202064 | Screw M10X160 - GB/T70.1 | 1 | |
| 2 | P1-10021 | Thread end piece | 1 | |
| 3 | P1-11012 | Seeger ring | 1 | |
| 4 | P1-11011 | Cover | 1 | |
| 5 | P1-11010 | Captured spring | 1 | |
| 6 | P1-10010 | Balancing wheel | 1 | |
| 7 | 0511049 | Drive belt 6-J290 | 1 | |
| 8 | P1-11002 | Phase disk | 1 | |
| 9 | 0205003 | Washer D.4 - GB/T96 | 4 | |
| 10 | 0208002 | Locking washer D.4 - GB/T93 | 11 | |
| 11 | 0202008 | Screw M4X8 - GB/T70.1 | 8 | |
| 12 | P1-11004 | Special screw | 2 | |
| 13 | 0203011 | Nut M10 - GB/T6170 | 2 | |
| 14 | 0507087 | Piezo sensor | 2 | |
| 15 | 0215068 | Steel ball D.9 | 4 | |
| 16 | P1-11013 | Fastening plate | 1 | |
| 17 | 0205004 | Washer D.5 - GB/T97.1 | 2 | |
| 18 | 0206026 | Screw M5X16 - GB/T818 | 2 | |
| 19 | P1B-11100UL | Complete shaft | 1 | |
| 20 | 0202004 | Screw M4X12 | 4 | |
| 21 | P1-11014 | Bearing cover | 1 | |
| 22 | 0214002 | Bearing 6006 | 1 | |
| 23 | 0212021 | Seeger D.30 - GB/T894.1 | 1 | |
| 24 | 0214001 | Bearing 6005 | 1 | |
| 25 | 0212004 | Seeger D.25 - GB/T894.1 | 1 | |
| 26 | P10A300001 | Support | 1 | |
| 27 | 0203001 | Nut M3 - GB/T52 | 2 | |

| | | | |
|---------|--------------------------|--|-----------|
| TAV.3.0 | BALANCING SHAFT ASSEMBLY | | ED. 02/17 |
|---------|--------------------------|--|-----------|

| | | | |
|----|------------|-----------------------------|---|
| 28 | 0205001 | Washer D.3 - GB/T97.1 | 2 |
| 29 | P1-11005 | Encoder support | 1 |
| 30 | 0507085 | Phase encoder | 1 |
| 31 | 0206056 | Screw M3X10 | 2 |
| 32 | 0205002 | Washer D.4 - GB/T97.1 | 2 |
| 33 | 0202011 | Screw M4X16 - GB/T70.1 | 1 |
| 34 | P1-11007Y | Washer | 1 |
| 35 | P1-11003Y | Motor pulley | 1 |
| 36 | P1-11016UL | Plate | 1 |
| 37 | 0201008 | Screw M5X30 | 4 |
| 38 | 0208003 | Locking washer D.5 - GB/T93 | 4 |
| 39 | 0205005 | Washer D.5 - GB/T96 | 4 |
| 40 | 0203004 | Nut M6 - GB/T52 | 1 |
| 41 | 0201015 | Screw M6X25 | 1 |
| 42 | 0509165 | Motor 110V/60Hz 0.18KW | 1 |

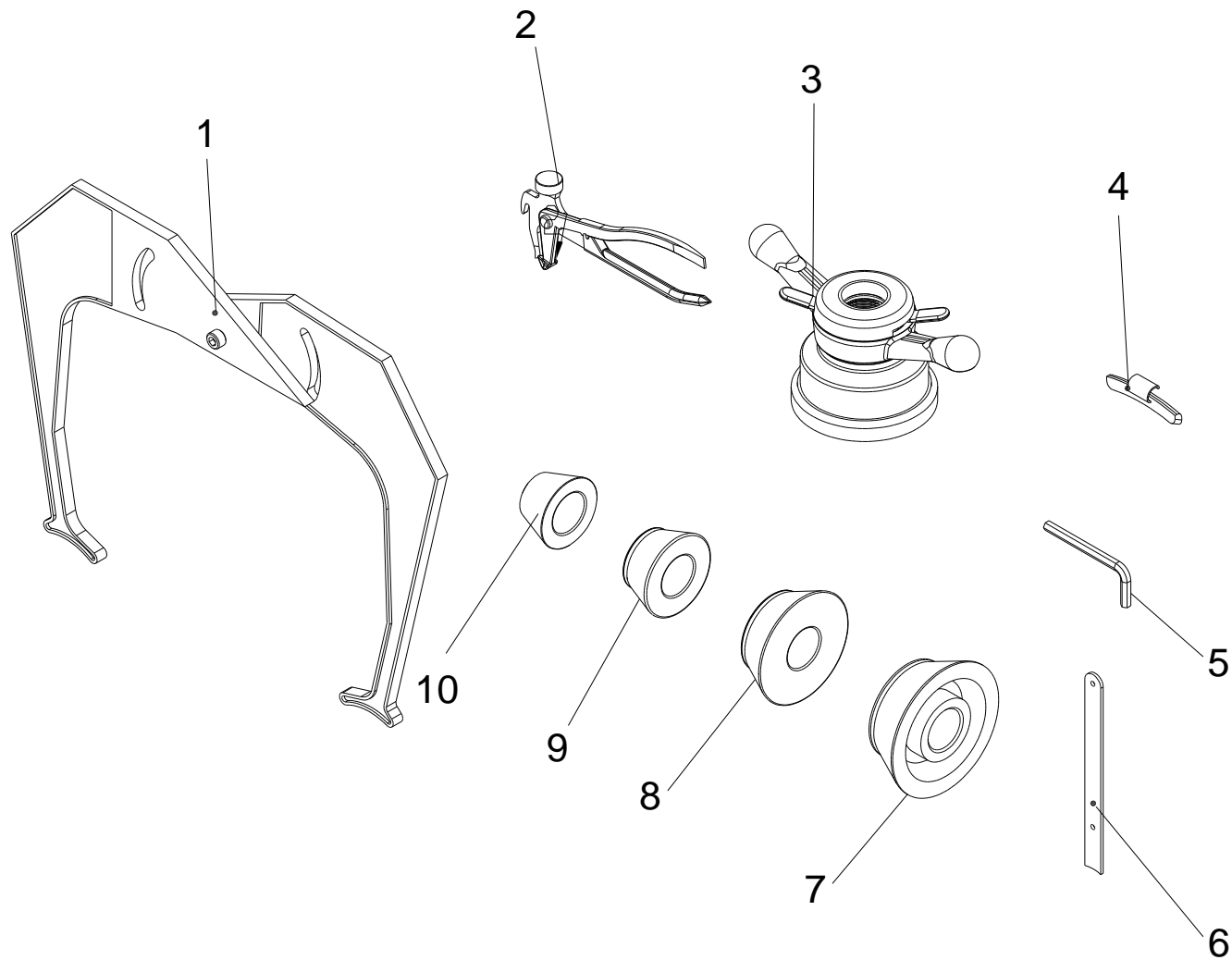


TAV.4.0

QUICK NUT KIT

ED. 02/17

| ITEM | PART NUMBER | DESCRIPTION | QTY | REMARK |
|------|-------------|-----------------------------|-----|--------|
| 1 | P1-50001 | Rubber cap | 1 | |
| 2 | P1-50005 | Clamping hood | 1 | |
| 3 | P1-50004 | Quick nut | 1 | |
| 4 | P1-50008 | Spring | 1 | |
| 5 | P1-50009 | Washer | 1 | |
| 6 | P1-50002 | Handle | 1 | |
| 7 | P1-50012 | Clamp | 1 | |
| 8 | P1-50006 | Clamping plate | 1 | |
| 9 | P1-50013 | Plastic cover | 2 | |
| 10 | P1-50007 | Returning spring | 1 | |
| 11 | P1-50003 | Nut flange | 1 | |
| 12 | 0213074 | Elastic pin 5X35 | 2 | |
| 13 | 0213085 | Pin 5X18 - GB/T119.2 | 2 | |
| 14 | 0207058 | Self-tapping screw ST3.5X16 | 4 | |



TAV.6.0**STANDARD ACCESSORIES****ED. 02/17**

| ITEM | PART NUMBER | DESCRIPTION | QTY | REMARK |
|-------------|--------------------|--------------------------------------|------------|---------------|
| 1 | 0604059 | Wheel Measuring Caliper | 1 | |
| 2 | 0511094 | Plier | 1 | |
| 3 | P1-50000 | Quick nut kit TR40X3 | 1 | |
| 4 | 0511098 | Calibration weight 100g | 1 | |
| 5 | 0511093 | Allen wrench | 1 | |
| 6 | P4-40001 | Ruler for distance gauge calibration | 1 | |
| 7 | P1-12004W | Cone 85-132 | 1 | |
| 8 | P1-12003W | Cone 78-111 | 1 | |
| 9 | P1-12002W | Cone 59-82 | 1 | |
| 10 | P1-12001W | Cone 44-70 | 1 | |